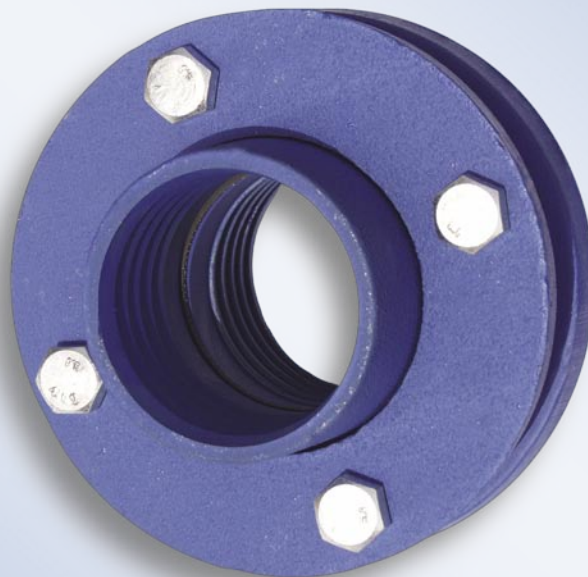


Art. 037

DN 63 - 140



Art. 037

COMPRESION FITING FOR PE AND PVC PIPES



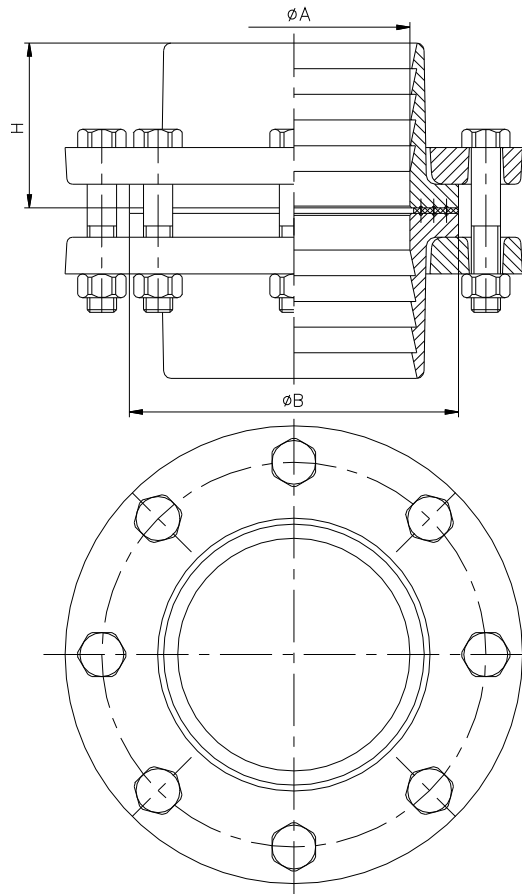
ORDER CODE

COMPRESSION FITING TYPE 037

--	--	--

Diameter of the pipe DN
63, 75, 90, 110, 125, 140

TECHNICAL DRAWING



We have the right to technical changes.

TECHNICAL INFORMATION

External diameter of the pipe (mm) d	dimensions			Weight (kg)
	A	B	H	
63	60.3	107	60	2.30
75	72.1	122	65	4.00
90	87.1	138	70	5.10
110	107.6	158	80	6.80
125	124.7	180	90	8.15
140	139.7	180	100	9.25

All dimensions are in mm.

