

## Art. 350

Y-shape  
Welded Construction  
DN 250 - 700  
PN 6/10/16/25



## Art. 350

### STRAINER

- Flanged valve welded construction for cleaning neutral gaseous and liquid media
- Simple dismantling of the screen for cleaning
- Small loss of pressure due to favourable hydraulic form
- Constructions with a normal screen and a fine screen widen the range of application
- Seals are made of non-asbestos material
- Technical delivery conditions to EN 12266 - 1,2
- EN 19 Specification
- Face to face per EN 558-1, basic series 1 (DIN 3202, F1)
- Strength test / Pressure testing to EN 12266 - P10, P11
- Flanged connections per EN 1092-1 PN 6/10/16/25
- Maximum operating temperature depends on the mounted materials
- Pmax = 6/10/16/25 bar of overpressure



**ORDER CODE**
**STRAINER TYPE**

--	--	--	--	--

**PN/ANSI**

--	--	--

**DN**

--	--	--

 Strainer, Y-shape **350**

Body/cover material

 St 37-2 / W.Nr. 1.0038 **32**

 X5 - CrNi 18 10 / W.Nr. 1.4301 **31**

 X6 - CrNiMoTi 17122 / W.Nr. 1.4571 **42**

Seal material

 NBR - (Perbunan), T<sub>max.</sub> = 90°C **P**

 EPDM - (Nordel), T<sub>max.</sub> = 120°C **E**

Pressure rating

 PN 06 **06**

 PN 10 **10**

 PN 16 **16**

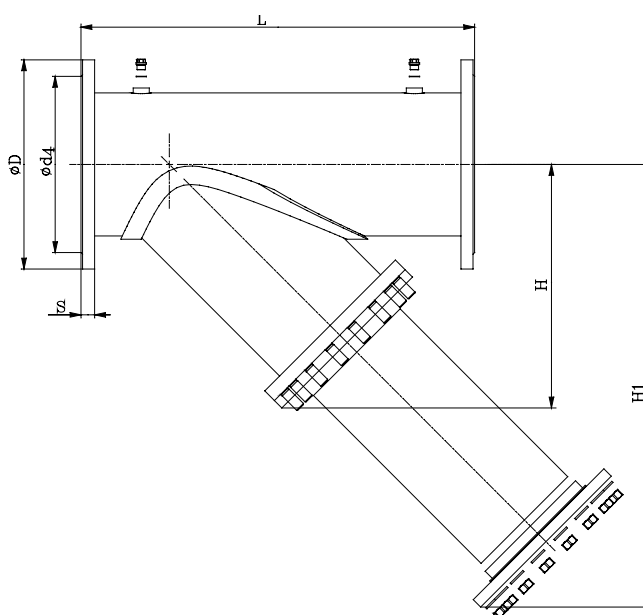
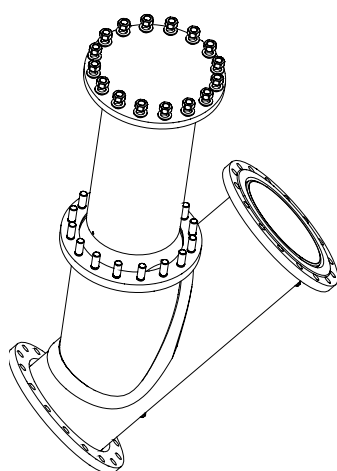
 PN 25 **25**

 ANSI 150 **150**

Nominal size

**DN 250 - 700**

Other materials are also available on agreement and on placing the order.

**TECHNICAL DRAWING**


We have the right to technical changes.

**TECHNICAL INFORMATION**

DN	Strainer dimensions			Normal screen		Weight kg
	L	H	H1	Kv (m <sup>3</sup> /h)	ζ (-)	
250	730	445	785	975	6,56	
300	850	545	945	1407	6,53	
350	980	590	1060	1790	7,48	205
400	1100	670	1195	2341	7,46	280
450	1200	740	1320	2961	7,47	345
500	1250	800	1425	3660	7,45	400
600	1450	935	1665	5274	7,44	545
700	1650	1080	1920	7184	7,43	780

All dimensions are in mm.

Strainer screen	
Material	Steinles steel/ W.Nr. 1.4301 / AISI 304
	Normal screen
Light mesh width mm	2.00
Number of meshses n/cm <sup>2</sup>	15.5

PN (bar)	6	10/16	25
Testni pritisk	10	16/25	37,5



386 (0)1/ 788 73 00, 788 73 01 + 386 (0)1/ 788 73 28 imp-ta@siol.net HTTP://www.imp-ta.si

IMP ARMATURE, izdelava in servis industrijskih armatur, d.o.o., Ljubljanska cesta 43, 1295 Ivančna Gorica, Slovenija

verzija št. 24092007